

## Ultra Slim COB LED Floodlights with Microwave Sensor and Remote IP65 220-240V

Please read these instructions before commencing installation & retain them for future reference.

### Important information


It is recommended that floodlights are installed by a qualified electrician ensuring the installation complies to current IEE wiring regulations & local building control.

- These products are designed for connection to a 220-240V mains supply.
- Any broken or damaged parts should be replaced as soon as possible.
- We will not accept responsibility for any claims arising from a poor installation.

### SPECIFICATIONS:

- **Voltage range:** 220-240 V/AC
- **Frequency:** 50/60 Hz
- **Power:** 10W, 30W, 50W, 80W, 100W
- **Mounting Height:** 0 to 2.9m
- **Time Setting:** 5sec to 24 hours
- **Protection against electric shock:** Class I. Requires earth connection
- **Ingress Protection:** IP65
- **Quality/Corrosive rating:** Suitable for commercial use and indoor/outdoor applications
- **Material:** Die cast Aluminium body with tempered glass diffuser
- **Ambient temperature range:** -8°C to +45°C

### INSTALLATION INSTRUCTIONS:

 Always switch off mains supply before servicing.  
The distance between two floodlights should be more than 50cm and no large metal should obstruct the front of the fitting.

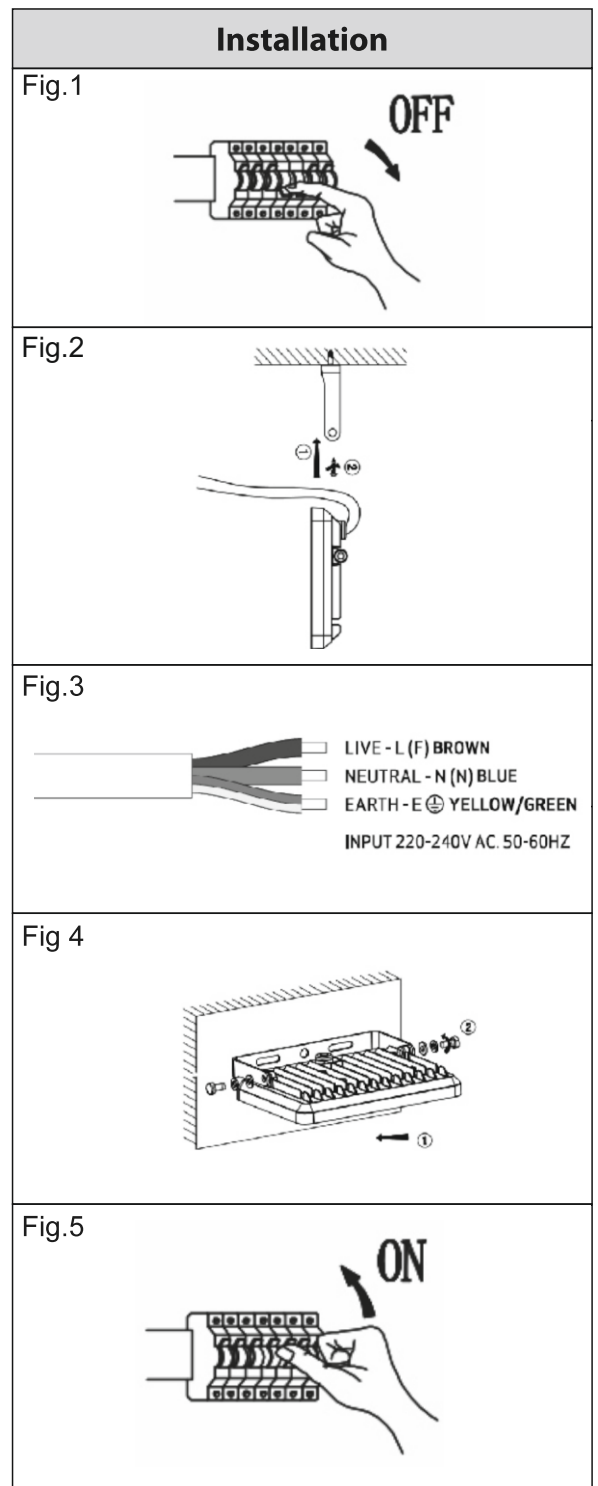
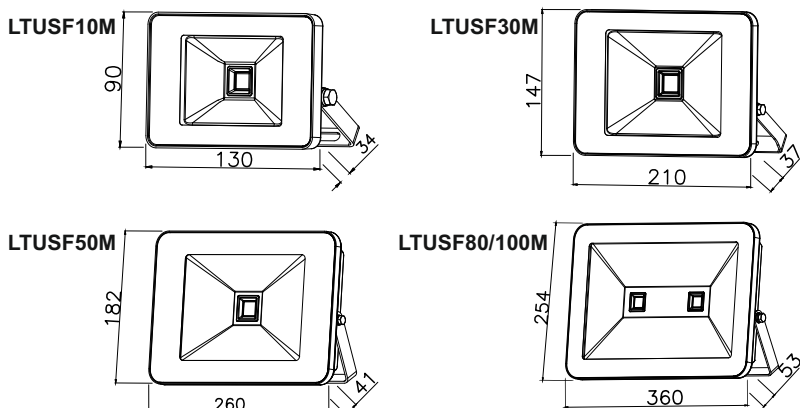
- Shut off Power. (Fig.1)
- Mount the bracket on the wall (Fig.2)
- Terminate loose ends of wire to an appropriate IP Rated junction box or similar, ensuring Live, Earth and Neutral polarities are observed. (Fig. 3)  
Live - Brown/Red  
Neutral - Blue/Black  
Earth - Yellow/Green

- Connect the fitting to its bracket. (Fig.4)
- Turn On Power (Fig.5) and test the luminaire.

**WARNING:** Ensure all items and screws are secure and fitted correctly.

- This floodlight is not dimmable.
- Floodlights should not be connected in series.

### DIMENSIONS(mm):



# Ultra Slim COB LED Floodlights with Microwave Sensor and Remote

## Remote Control Functions



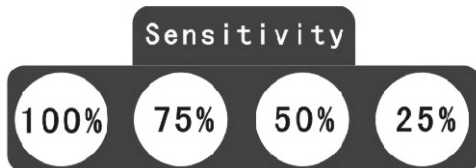
- Input: 220-240 V/AC
- Frequency: 50/60hz
- Emission Frequency: 5.8Ghz
- Detection Angle: 160°
- Detection Range: 1 - 8 metres adjustable
- Delay Time: 5sec - 24h adjustable
- Mode: 6 modes adjustable
- Power Consumption: 1.2W
- Transmitted Power: <0.2W
- Battery Type: CR2025

All buttons on remote control have a memory function; after setting the fixture will keep working on the mode it was set.

### Remote Control Setup:

- Pull plastic protection from battery compartment to activate remote control.
- The factory settings by default are:
  - Range (sensitivity) 100% ie, the full range at 10 metres distance.
  - Time ( the time the fitting will stay on for) is 10 seconds.
  - (The light sensitivity) By default it will stay on all day.
- Changing the default settings:
  - Point the remote towards the fitting within 12m metres.
  - Select the mode of adjustment required, eg, sensitivity (range). Press the required range be it 75% etc.
  - The light will then flash once acknowledging the new setting.
  - Repeat the same for all other adjustments required.

### Sensitivity Adjustment (Range):



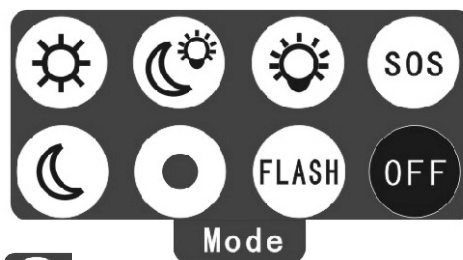
100% detection distance 7-8 meters  
 75% detection distance 5-6 meters  
 50% detection distance 3-4 meters  
 25% detection distance 1-2 meters







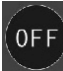

### Delay Time Adjustment (Time):



S: delay seconds  
 M: delay minutes  
 H: delay hours

### Mode Changing (inc. Light Sensitivity Adjustment):



-  Whole day working mode. The sensor will function day and night.
-  Night working mode. The sensor will only function at night.
-  Photocell mode. The fixture will light when it is dark.
-  Space key, no function
-  Continuous light mode. The fixture will turn on continuous light.
-  Flash mode
-  SOS mode
-  Turn off the fixture.